

## RBW30x-L, RBW31x-x-L Room Control Module

### Application

RBW30x-L, RBW31x-x-L is a bus-capable room control module with an LCD display.

Different variants with a graded range of functions are available: Display and set room temperature, display time and date, weekly schedule, fan control, presence button (present/absent).

Models with two, four or eight additional keys are also available, which can each be assigned individually to different functions (e.g. light or blind control).

RBW30x-L, RBW31x-x-L can be used as a room control module on a network. The LON Talk protocol is used for communication. A plug-in is used for configuration. This plug-in is a network management tool based on LNS3 (LonWorks Network Services).



Content	Page
Important Information Regarding Product Safety .....	2
Item .....	3
Technical Data .....	5
Dimensions .....	6
Connection .....	6
Installation .....	7

Änderungen vorbehalten - Contents subject to change - Sous réserve de modifications - Reservado el derecho a modificación - Wijzigingen voorbehouden - Con riserva di modifiche - Innehåll som skall ändras - Změny vyhrazeny - Zmiany zastrzeżone - Возможны изменения - A változtatások jogát fenntartjuk - 保留未经通知而改动的权力

## Important Information Regarding Product Safety

### Safety Instructions

This data sheet contains information on installing and commissioning the product "RBW30x-L, RBW31x-x-L". Each person who carries out work on this product must have read and understood this data sheet. If you have any questions that are not resolved by this data sheet, you can obtain further information from the supplier or manufacturer.

If the product is not used in accordance with this data sheet, the protection provided will be impaired.

Applicable regulations must be observed when installing and using the device. Within the EU, these include regulations regarding occupational safety and accident prevention as well as those from the VDE (Association for Electrical, Electronic & Information Technologies). If the device is used in other countries, it is the responsibility of the system installer or operator to comply with local regulations.

Mounting, installation and commissioning work on the devices may only be carried out by qualified technicians. Qualified technicians are persons who are familiar with the described product and who can assess given tasks and recognize possible dangers due to technical training, knowledge and experience as well as knowledge of the appropriate regulations.

### Legend



#### WARNING

Indicates a hazard of medium risk which can result in death or severe bodily injury if it is not avoided.



#### CAUTION

Indicates a hazard of low risk which can result in minor or medium bodily injury if it is not avoided.



#### NOTICE

Indicates a hazard of medium risk which can result in material damage or malfunctions if it is not avoided.



#### NOTE

Indicates additional information that can simplify the work with the product for you.

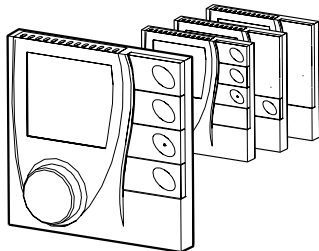
### Notes on Disposal

For disposal, the product is considered waste from electrical and electronic equipment (electronic waste) and must not be disposed of as household waste. Special treatment for specific components may be legally binding or ecologically sensible. The local and currently applicable legislation must be observed.

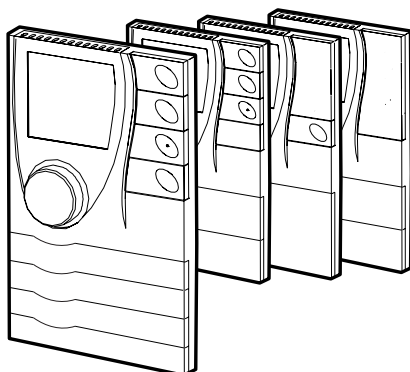
Item

Type 30x-L	Short description: Basic models
RBW301-L	Room control module with room temperature sensor and LCD display, settings made using knob and confirmation key (room temperature setpoint, timer functions)
RBW302-L	Additional features: Presence button
RBW304-L	Additional features: Keys for fan control (Off, Min, Max, Auto)
RBW305-L	Additional features: Keys for fan control (Off, Min, Max, Auto), presence button
Type 31x-2-L	Short description: Expanded models
RBW311-2-L	Expanded model: Two keys (individual assignment)
RBW312-2-L	Additional features: Presence button
RBW314-2-L	Additional features: Keys for fan control (Off, Min, Max, Auto)
RBW315-2-L	Additional features: Keys for fan control (Off, Min, Max, Auto), presence button
Type 31x-4-L	
RBW311-4-L	Expanded model: Four keys (individual assignment)
RBW312-4-L	Additional features: Presence button
RBW314-4-L	Additional features: Keys for fan control (Off, Min, Max, Auto)
RBW315-4-L	Additional features: Keys for fan control (Off, Min, Max, Auto), presence button
Type 31x-8-L	
RBW311-8-L	Expanded model: Eight keys (individual assignment)
RBW312-8-L	Additional features: Presence button
RBW314-8-L	Additional features: Keys for fan control (Off, Min, Max, Auto)
RBW315-8-L	Additional features: Keys for fan control (Off, Min, Max, Auto), presence button



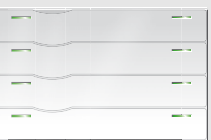




RBW30x-L basic models






RBW31x-x-L expanded models (keys for individual assignment)



Type Overview

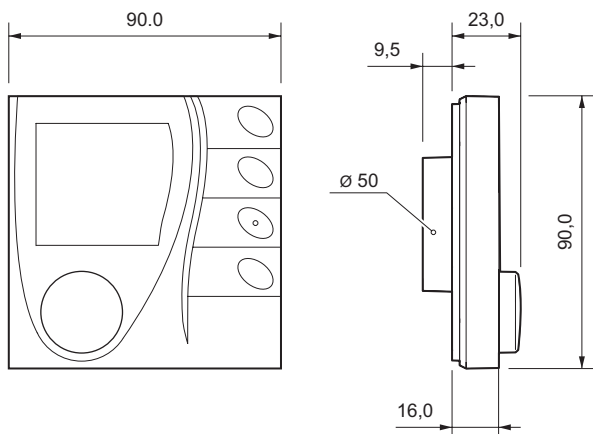
Additional keys				
Keys				
	RBW301-L Basic model with LCD display and knob with confirmation key, room temperature setting, weekly schedule	RBW311-2-L with expansion: Two additional keys (individual assignment)	RBW311-4-L with expansion: Four additional keys (individual assignment)	RBW311-8-L with expansion: Eight additional keys (individual assignment)
	RBW302-L as RBW301-L plus <ul style="list-style-type: none"> <li>• Presence button</li> </ul>	RBW312-2-L with expansion: Two additional keys plus <ul style="list-style-type: none"> <li>• Presence button</li> </ul>	RBW312-4-L with expansion: Four additional keys plus <ul style="list-style-type: none"> <li>• Presence button</li> </ul>	RBW312-8-L with expansion: Eight additional keys plus <ul style="list-style-type: none"> <li>• Presence button</li> </ul>
	RBW304-L as RBW301-L plus <ul style="list-style-type: none"> <li>• Keys for fan control</li> </ul>	RBW314-2-L with expansion: Two additional keys plus <ul style="list-style-type: none"> <li>• Keys for fan control</li> </ul>	RBW314-4-L with expansion: Four additional keys plus <ul style="list-style-type: none"> <li>• Keys for fan control</li> </ul>	RBW314-8-L with expansion: Eight additional keys plus <ul style="list-style-type: none"> <li>• Keys for fan control</li> </ul>
	RBW305-L as RBW301-L plus <ul style="list-style-type: none"> <li>• Keys for fan control</li> <li>• Presence button</li> </ul>	RBW315-2-L with expansion: Two additional keys plus <ul style="list-style-type: none"> <li>• Keys for fan control</li> <li>• Presence button</li> </ul>	RBW315-4-L with expansion: Four additional keys plus <ul style="list-style-type: none"> <li>• Keys for fan control</li> <li>• Presence button</li> </ul>	RBW315-8-L with expansion: Eight additional keys plus <ul style="list-style-type: none"> <li>• Keys for fan control</li> <li>• Presence button</li> </ul>

**Technical Data**

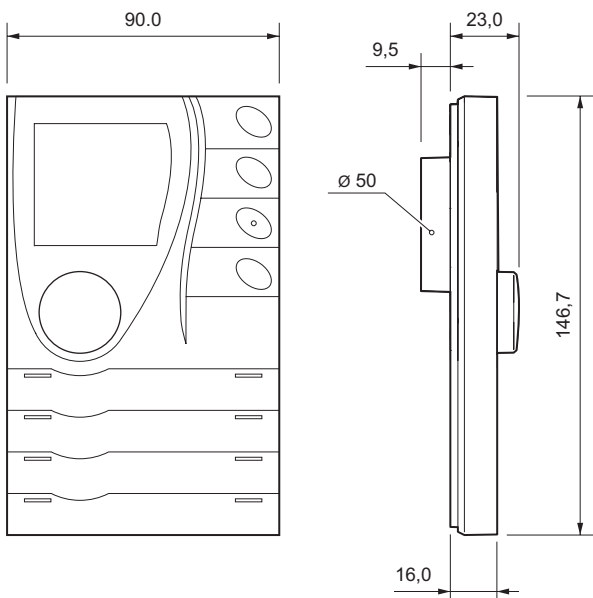
Nominal voltage	RBW30x-L AC/DC 24 V, ±10 %, 1.2 VA / 0.6 W RBW31x-x-L 1.5 VA / 0.65 W
Power consumption	RBW30x-L 0.4 W without backlighting, 0.6 W with backlighting RBW31x-x-L 0.5 W without backlighting, 0.65 W with backlighting
Measured value	Room temperature of spaces in homes or commercial premises
Measuring system	Integrated digital room sensor
Display and controls	<ul style="list-style-type: none"> <li>• Backlit graphical display: Feedback, presence, fan status, heating/cooling, window contact, weekly schedule, time, date, project-specific messages, service level</li> <li>• Knob with confirmation key for setting the temperature, time and weekly schedule; setting/display of service data</li> </ul>
	<p>Keys:</p> <p> Fan control level increasing: Fan on, increased speed</p> <p> Fan control level decreasing: Decreased speed, fan off</p> <p><b>Auto</b> Fan in automatic mode (fan speed specified by loop controller)</p> <p> Presence button: Switch to present or absent</p>
	<p>Optional:</p> <ul style="list-style-type: none"> <li>• Expansion module with freely programmable additional keys for light control, blinds control and room scenes</li> </ul>
Bus connection	LON FTT10, 78 kbit/s
Standards	LonMark function profiles: – Space Comfort Control Command Module #8090
Interfaces	4-wire on bus connection terminal
Measuring range	0 °C to 50 °C
Relative measuring accuracy	0.1 K
Housing	Plastic housing, RAL 9010 (pure white) Other colors on request
Protection class	III
Degree of protection	IP30
Ambient temperature	0 °C to 50 °C
Ambient humidity	During operation: 20 % to 80 % r.h.; non-condensing Out of operation: 5 % to 90 % r.h.; non-condensing
Installation	Screw mounting on standard flush-mounted box
Weight	RBW30x-L 0.12 kg RBW31x-x-L 0.17 kg
Dimensions	RBW30x-L 90 x 90 x 16; flush-mounted depth = 9.5
W x H x D (mm)	RBW31x-x-L 90 x 145 x 16; flush-mounted depth = 9.5

Dimensions

RBW30x-L basic models

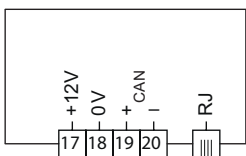


RBW31x-x-L expanded models



Connection

Connection terminal assignment



Installation

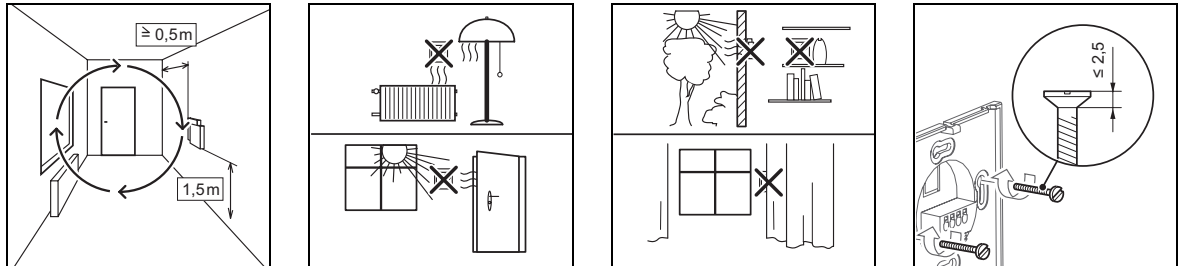


**NOTICE**

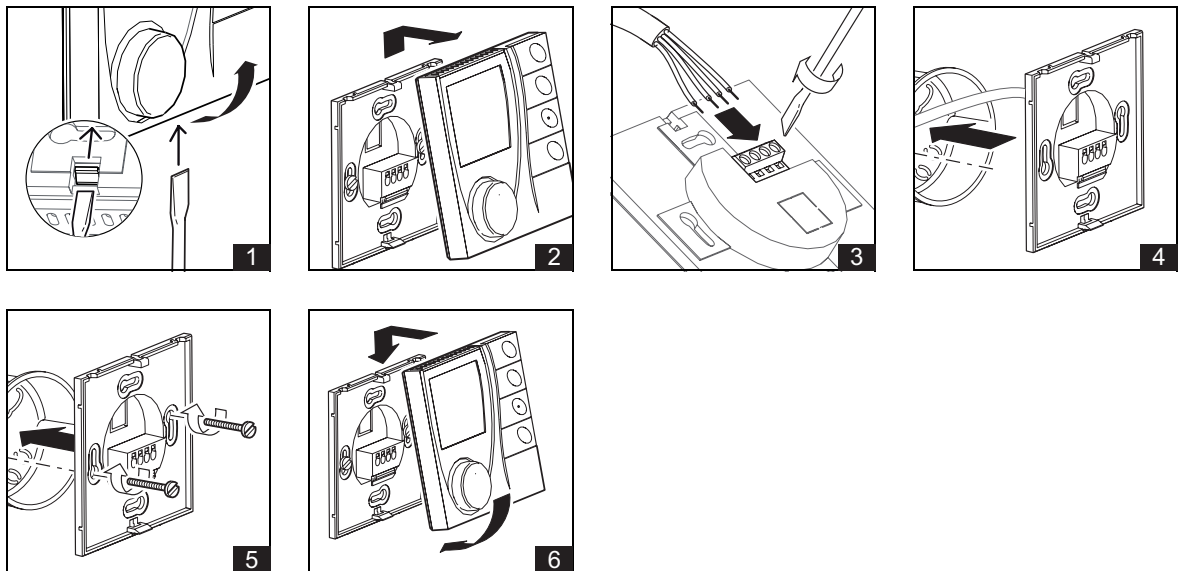
Mounting/demounting may only be carried out by qualified technicians when the power is switched off.

The room controller must be mounted onto a flush-mounted box.

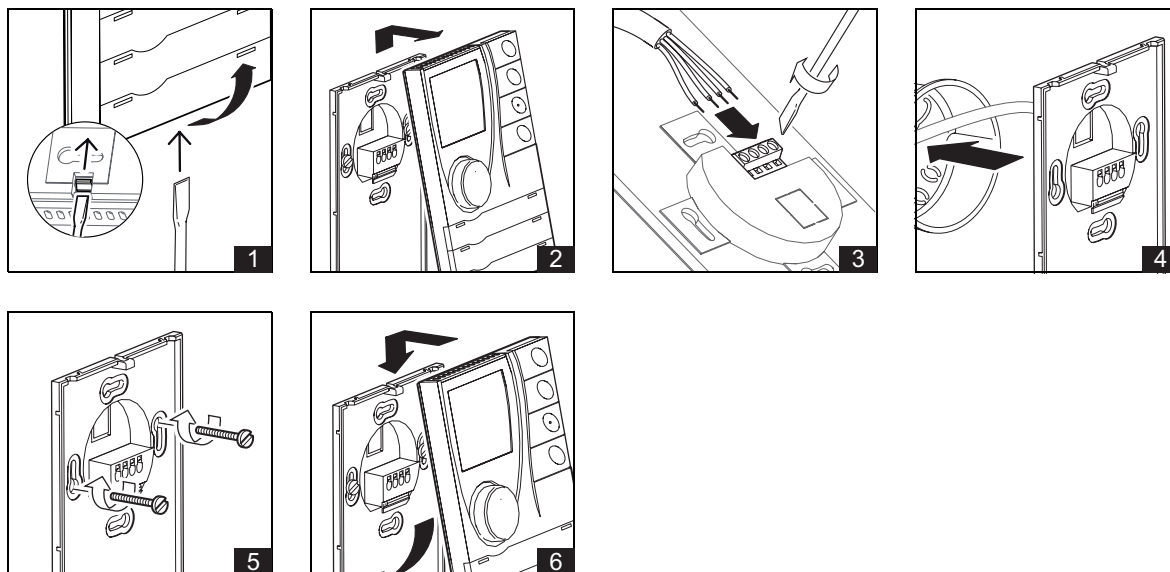
Choose an installation location that is subject to the air flow of the room to ensure that the room controller can quickly and accurately measure the room temperature.



**Wall mounting of RBW3x-x-L (4-wire on terminal)**



**Wall mounting of RBW31x-x-L (4-wire on terminal)**



**Notes on reducing harmful waste caused by batteries**



Devices which use batteries containing harmful substances are indicated with this symbol. Dispose of used batteries at an approved collection point or store in accordance with legal regulations, or follow the applicable guidelines in your country for reducing harmful waste caused by batteries. Disposal in household waste is prohibited.

Battery disposal at approved collection points is free-of-charge. Batteries can also be returned to us at the following address, but must be sent with sufficient postage:

Kieback&Peter GmbH & Co. KG  
 Dahmestraße 18-19  
 15749 Mittenwalde  
 Germany